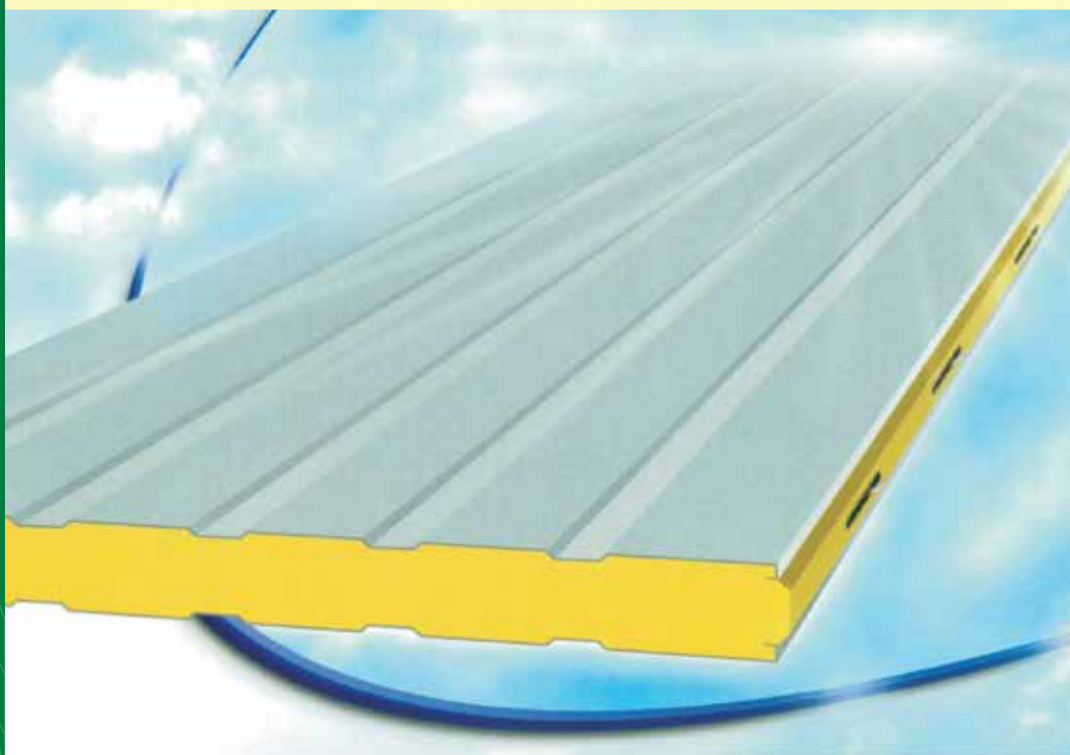


ARICO[®]



INSULATED SANDWICH PANEL EUPA



INSULATED PANEL'S FEATURES AND SPECIFICATIONS

EU-PA® insulated panel uses cyclopentane as the blowing agent which has zero ozone depleting potential. We offer insulated sandwich panels and insulation board for multi-purpose application with several benefits:

- High quality products, using polyurethane rigid foam (PUR) which has excellent thermal insulation properties.
- Good compression resistance and dimensional stability at high temperature range from -45°C to +80°C.
- Waterproof, hygiene and easy to clean.
- High fire resistance product and self-extinguishable foam.
- Long life cycle and are reusable to accommodate future occupancy changes.
- Acoustic characteristics allow a reasonable degree of comfort in the rooms.



► Polyurethane rigid foam (PUR) insulation:

- Density of insulating foam: $42 \pm 2 \text{ kg/m}^3$.
- Thermal conductivity: 0.02 W/m.K .
- The content of closed cells $>90\%$.
- Tensile strength: 270 kPa .
- Compressive strength at 10% deformation: $155 \div 175 \text{ kPa}$.
- Water absorption per unit volume $<3.1 \%$.

U-Value ($\text{W/m}^2.\text{K}$)	R-Value ($\text{m}^2.\text{K/W}$)	Thickness (mm)
0.40	2.50	50
0.27	3.75	75
0.20	5.00	100
0.16	6.25	125
0.13	7.50	150
0.11	8.75	175
0.10	10.00	200

R- Value : Thermal resistance
U -Value : Thermal transmittance



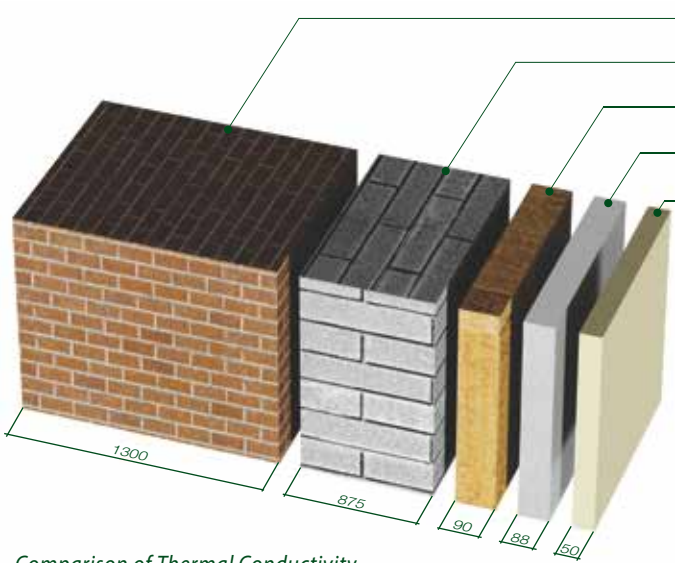
Double interstice finger joint locking system without cam-lock



Single male - female locking system with cam-lock

► Panels cladding steel sheet:

- Both side sheet metal facings, or only one side has cladding metal, or without any metal facings in the case of insulation board request.
- Surface type: G – Grooved or S – Smooth.
- Pre-painted hot dip galvanized steel (color bond steel) is our standard. Stainless steel 304, Zinc Aluminum coated steel, or customized in the case of special request.
- Thickness: 0.5mm is our standard. 0.4mm, 0.6mm, 0.7mm are available when requested.
- Paint coats color: Ivory stone is our standard, or any common RAL colors when requested.



- Bricks $\lambda = 0.520$
- Concrete blocks (normal weight) $\lambda = 0.350$
- Rockwool (RW) $\lambda = 0.036$
- Expanded polystyrene (PS) $\lambda = 0.035$
- Polyurethane (PUR) $\lambda = 0.020$

λ : Thermal conductivity (W/m.K)

Source: Ashrae handbook Fundamentals_Buiding and Insulating Materials.

Standard PUR Panel Weight

Panel thickness (mm)	50	75	100	125	150	175	200
PUR weight (kg/m ²)	2.10	3.15	4.20	5.25	6.30	7.35	8.40
Metal sheet weight (kg/m ²)	8.13	8.13	8.13	8.13	8.13	8.13	8.13
Total weight of Panel (kg/m ²)	10.23	11.28	12.33	13.38	14.43	15.48	16.53

Comparison of Thermal Conductivity

THERMAL INSULATED DOOR



Automatic Sliding Door



Manual Sliding Door



Hinged Door

- Hinged, swing doors or sliding doors.
- The doors are insulated by Polyurethane.
- Doors cladding can be made of colorbond steel sheet or stainless steel.
- Door locks, hinges, sliding structures and driving systems are all high quality products imported from EU.
- The door lock can be opened from the inside for safety reason.
- Insulated door frame made of PVC or aluminum channels.
- Doors completed with electrical heater to prevent frozen.

PROFESSIONALLY DELIVERY AND INSTALLATION



Arico Insulated Panel Factory



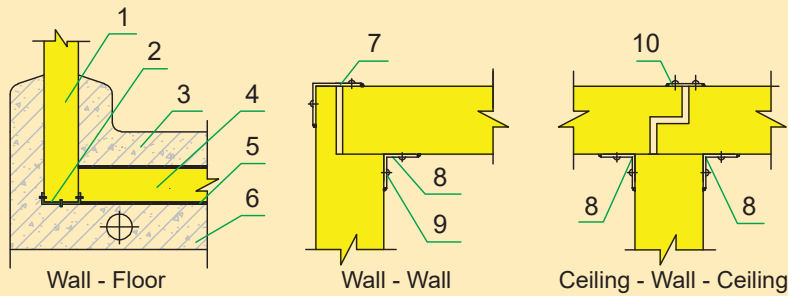
Assembling and testing in Arico's factory



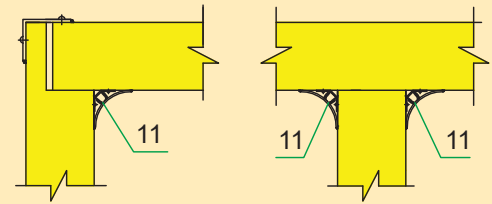
Project under construction

STANDARD CONNECTION DETAILS

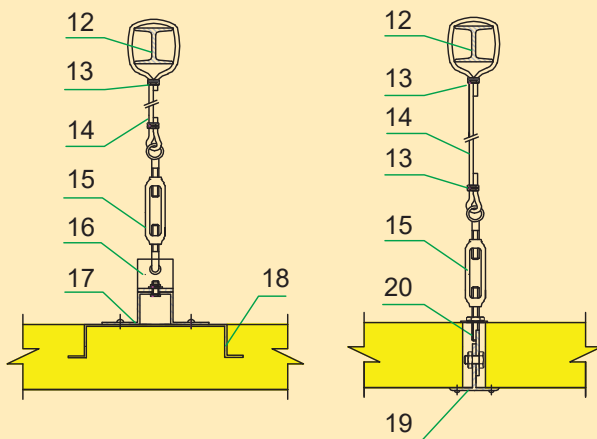
Corner details for Cold Storage



Corner details for Clean Room



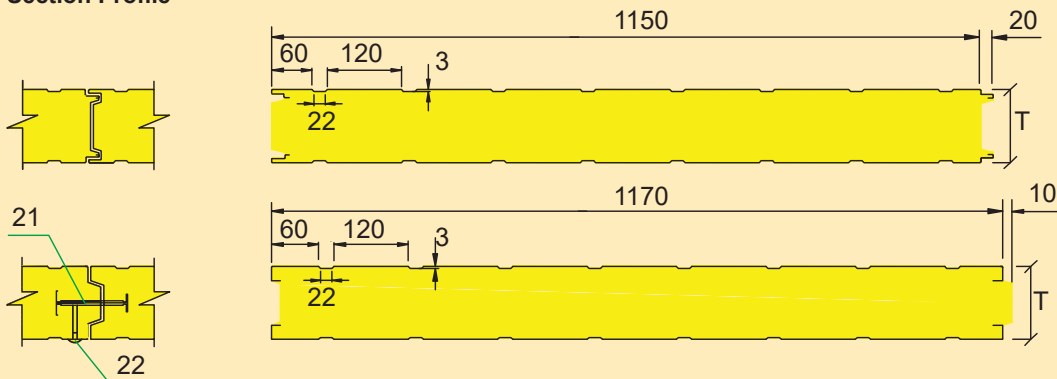
Ceiling Hanging details



1. Wall panel
2. U channel for wall panel
3. Concrete floor layer
4. Floor insulation slab
5. Vapor barrier materials layer
6. Under concrete with ventilation pipes
7. Outside aluminum angle
8. Inside aluminum angle
9. Rivet
10. Connector cover
11. Curve aluminum bar

12. Hanging beam
13. Wire rope clip
14. Wire rope
15. Turn buckle
16. Hanging part
17. Hanging bar
18. Inside panel support
19. T-shaped aluminum bar
20. Hanging bar
21. Cam - lock
22. Cam - lock cap

Section Profile



APPLICATIONS



- Building insulation: ceiling, wall, partition.



- Cold storage, chill room, clean room.

Head Office | Factory

Address: Lot 25-27 Trung Tam Road, Tan Tao Industrial Zone,
Tan Tao A Ward, Binh Tan District, Ho Chi Minh City, Viet Nam
Tel: +84 28 375 45678 | Fax: +84 28 375 45679
Website: www.arico.com.vn
Email: info@arico.com.vn

A member of **EAREFICO**
GROUP

ARICO®

ASIA REFRIGERATION INDUSTRY CORP.

Always in favour of your development